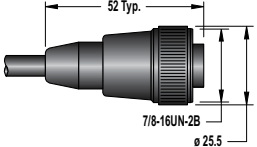



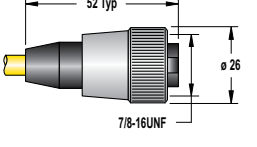
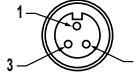
3-Pin Mini-Style Cordsets

Cable: PVC jacket, PUR (polyurethane) connector body, nylon coupling nut
Conductors: 18 AWG, PVC insulation, gold-plated contacts
Voltage/Current Rating: 300V ac/dc, 9.0 A
Temperature: -40° to +80° C **Environmental Rating:** IP67

Style	Length	Model	Cable Diameter	Dimensions (mm)	Pinout	Used With		
Straight	1.83 m	MBCC-306	7.00 mm		Female  1 = Brown 3 = Blue 4 = Black	• Q45		
	3.66 m	MBCC-312				• SM30 Intrinsically safe dc sensors		
	9.14 m	MBCC-330						
Straight	1.83 m	SMICC-306					1 = Red/Black 3 = Red/White 4 = Green	• SM30 2-wire ac sensors
	3.66 m	SMICC-312						
	9.14 m	SMICC-330						
Straight	1.83 m	SM30CC-306						
	3.66 m	SM30CC-312						

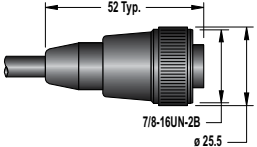

3-Pin Mini-Style Cordsets

Cable: PVC jacket, PUR (polyurethane) connector body, nickel-plated brass coupling nut
Conductors: 18 AWG, PVC insulation, gold-plated contacts
Voltage Rating: 250V ac/300 dc
Temperature: -40° to +80° C **Environmental Rating:** IP67

Style	Length	Model	Cable Diameter	Dimensions (mm)	Pinout	Used With
Straight	4.75 m	QDS-315C	7.00 mm		Female  1 = Green/Ye 2 = Brown 3 = Blue	• EZ-SCREEN Emitters w/3-pin QD (Point & Grid)
	7.62 m	QDS-325C				
	15.2 m	QDS-350C				
	22.9 m	QDS-375C				
	30.5 m	QDS-3100C				

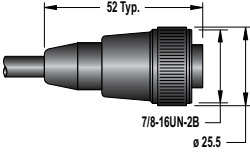
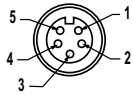
4-Pin Mini-Style Cordsets

Cable: PVC jacket, PUR (polyurethane) connector body, nylon coupling nut
Conductors: 18 AWG, gold-plated contacts
Voltage/Current Rating: 300V ac/dc, 9.0 A
Temperature: -40° to +80° C **Environmental Rating:** IP67

Style	Length	Model	Cable Diameter	Dimensions (mm)	Pinout	Used With
Straight	1.83 m	MBCC-406	7.00 mm		Female  1 = Brown 2 = White 3 = Blue 4 = Black	• Q45 dc sensors (suffix Q) • OMNI-BEAM dc power blocks • SM30 dc sensors • OTB w/solid-state output • STB with solid-state output
	3.66 m	MBCC-412				
	9.14 m	MBCC-430				

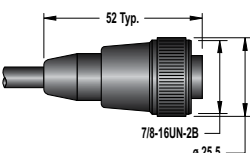
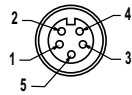
5-Pin Mini-Style Cordsets

Cable: PVC jacket, PUR (polyurethane) connector body, nylon coupling nut
Conductors: 18 AWG, gold-plated contacts
Voltage/Current Rating: 300V ac/dc, 9.0 A
Temperature: -40° to +80° C **Environmental Rating:** IP67

Style	Length	Model	Cable Diameter	Dimensions (mm)	Pinout	Used With
Straight	1.83 m	MBCC-506	7.00 mm		<p>Female</p>  <p>1 = Black 2 = Blue 3 = Yellow 4 = Brown 5 = White</p>	<ul style="list-style-type: none"> • Q45 Laser Retro • OMNI-BEAM ac power blocks • OMNI-BEAM dc w/ e/m relay • OTB & LTB w/SPDT relay • Q45 5-wire ac • STB with e/m relay
	3.66 m	MBCC-512				
	9.14 m	MBCC-530				

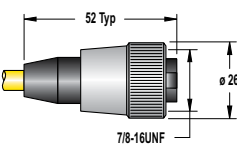
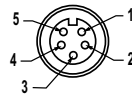
5-Pin Mini-Style Cordsets with Shield

Cable: PVC jacket, PUR (polyurethane) connector body, nylon coupling nut
Conductors: 22 AWG (shielded), PVC insulation, gold-plated contacts
Voltage/Current Rating: 300V ac/dc, 9.0 A
Temperature: -40° to +80° C **Environmental Rating:** IP67

Style	Length	Model	Cable Diameter	Dimensions (mm)	Pinout	Used With
Straight	1.83 m	MBCC2-506	6.10 mm		<p>Female</p>  <p>1 = Brown 2 = White 3 = Blue 4 = Black 5 = Yellow</p>	<ul style="list-style-type: none"> • QT50U • Q45U • Q45UR
	3.66 m	MBCC2-512				
	9.14 m	MBCC2-530				

5-Pin Mini-Style Cordsets with Green/Yellow Grounding Wire

Cable: PVC jacket, PUR (polyurethane) connector body, nickel-plated brass coupling nut
Conductors: 20 AWG, gold-plated contacts
Voltage/Current Rating: 250V ac/300V dc, 9.0 A
Temperature: -40° to +90° C **Environmental Rating:** IP67

Style	Length	Model	Cable Diameter	Dimensions (mm)	Pinout	Used With
Straight	4.75 m	QDS-515C	7.00 mm		<p>Female</p>  <p>1 = Black 2 = Blue 3 = Gn/Ye 4 = Brown 5 = White</p>	<ul style="list-style-type: none"> • EZ-SCREEN Receivers w/5-pin QD & TEST (Point & Grid)
	7.62 m	QDS-525C				
	15.2 m	QDS-550C				